

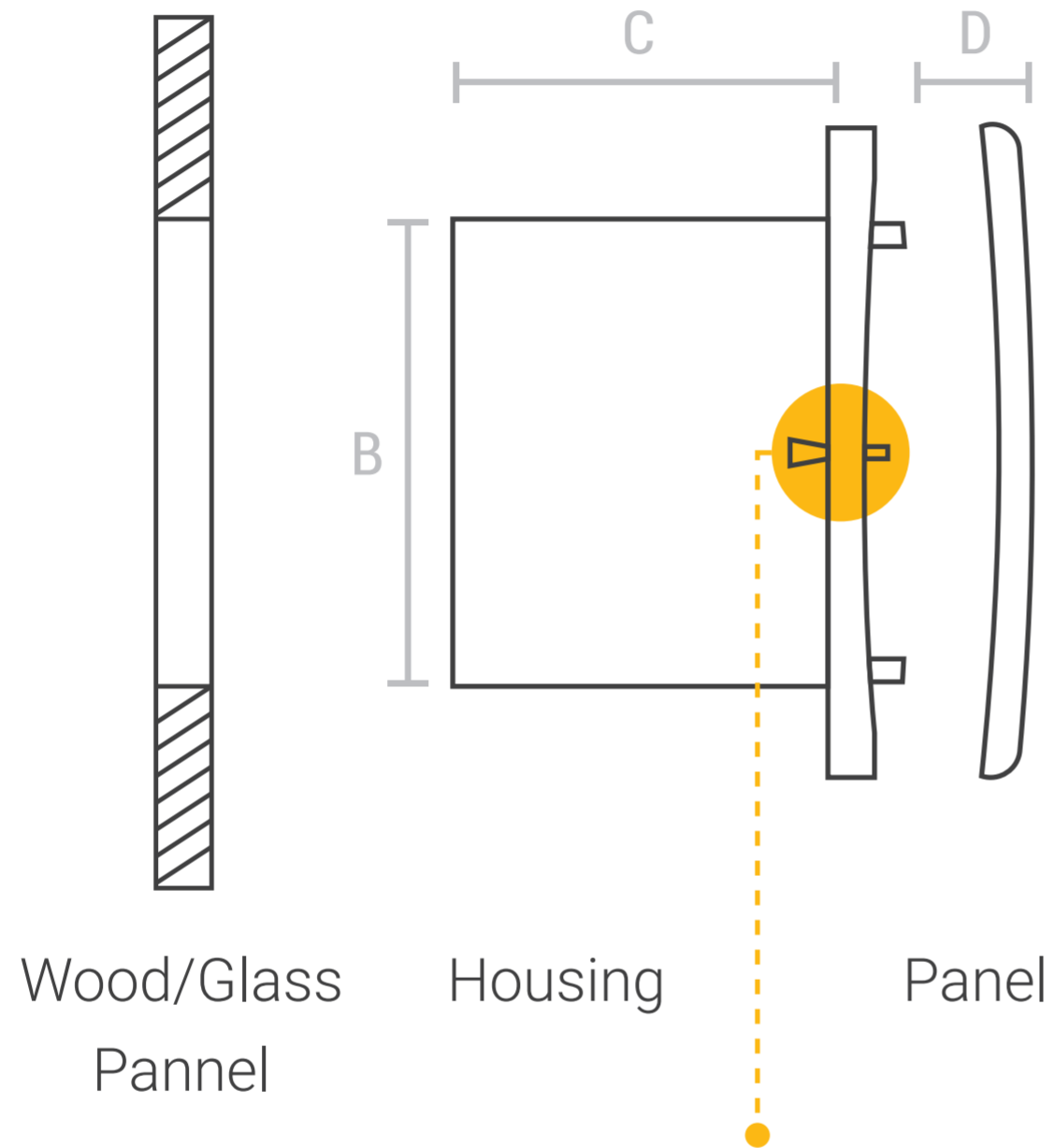


Exhaust fans installation guide

STUDIO+

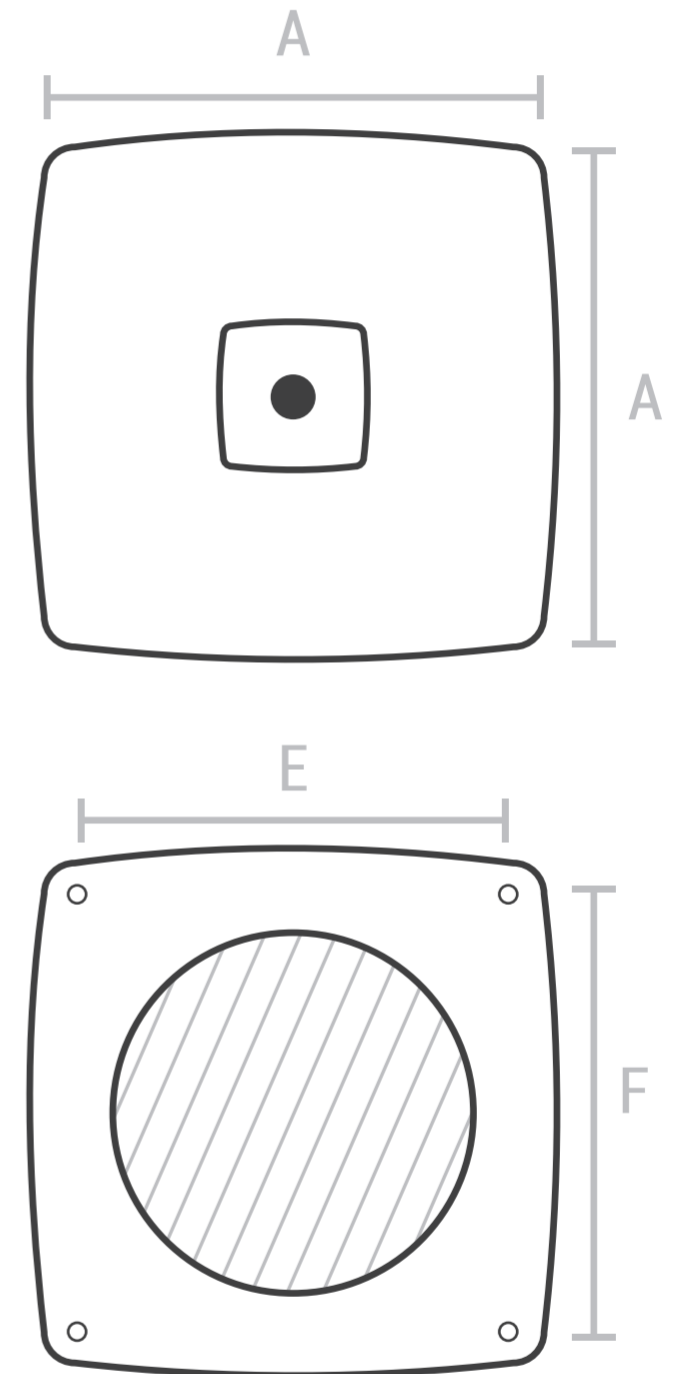
STUDIO

EFFICIO



Screw the clamp from the outside
 to secure the fan in position

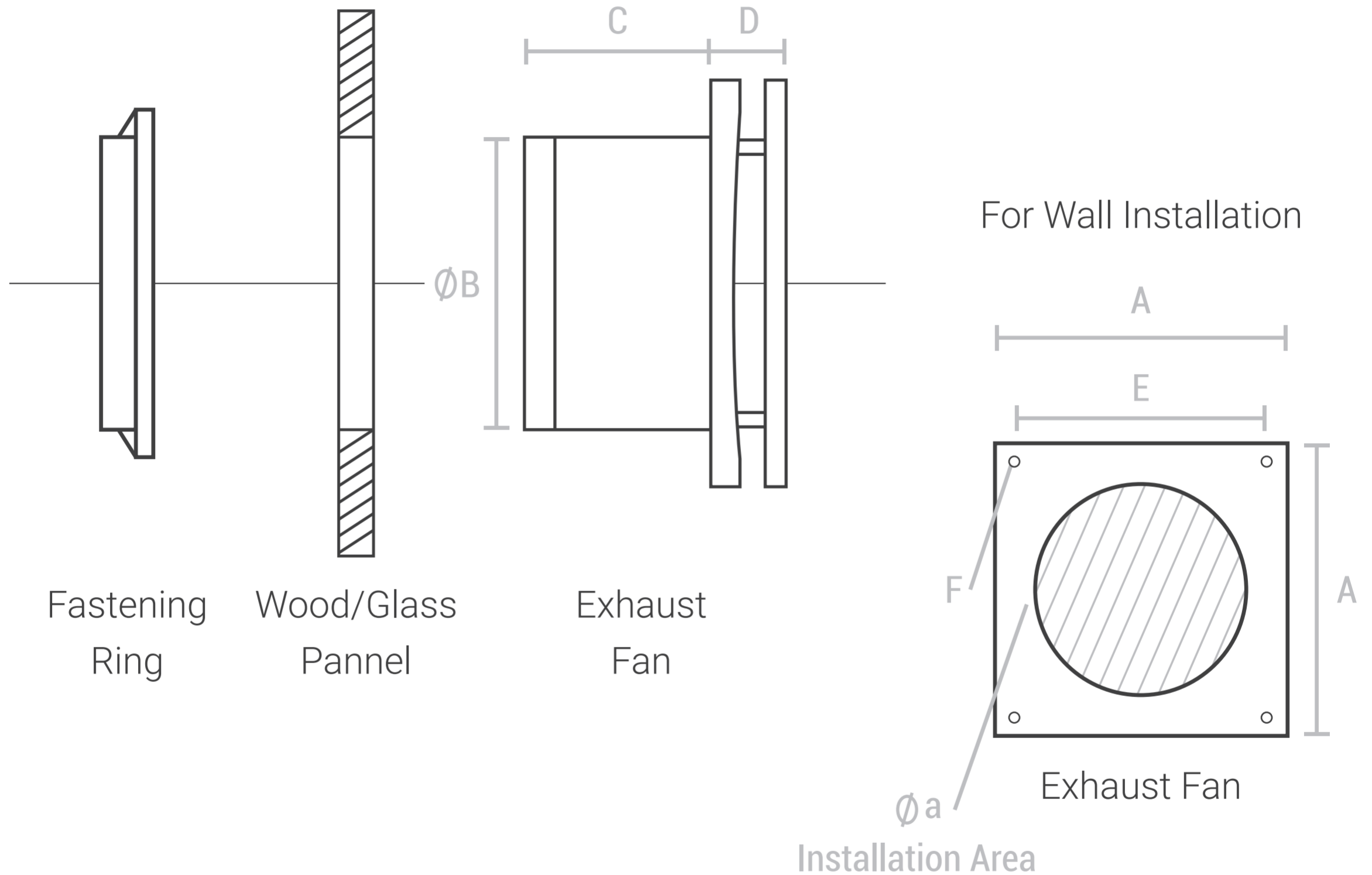
Exhaust Fan



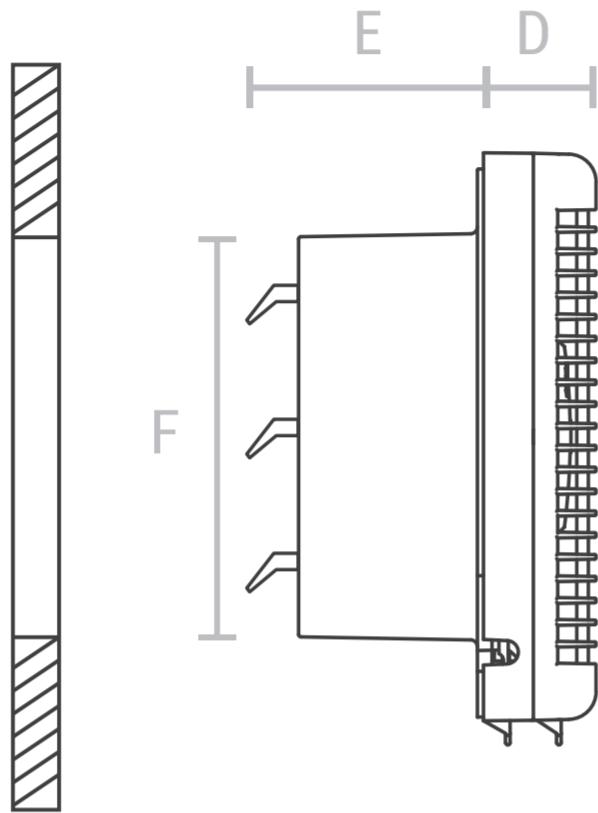
Screw type: **M4**

Hole dm: **4.2-4.5 mm**

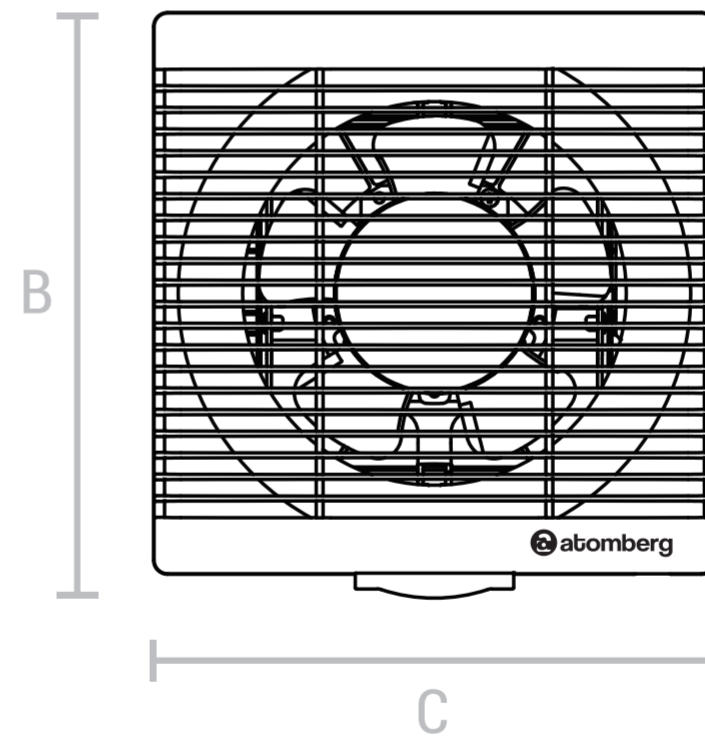
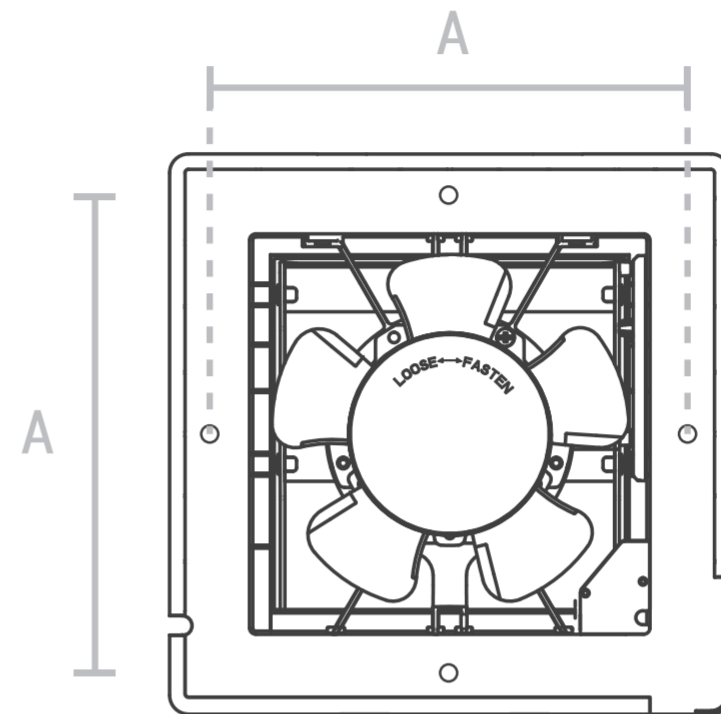
Code	A	B	C	D	E	F
Dimensions(mm)	195	145	120	32	130	140



Code	A	B	C	D	E	F	Øa
Dimensions(mm)	200	147	93.5	39	175.5	Ø4.5	153



Wooden Pannel



Screw type: **M4**

Hole dm: **4.2-4.5 mm**

Dimensions (mm)

Size	A	B	C	D	E	F
6"/150 mm	206	255	245	50	77	175
8"/200 mm	262	306	296	50	87	245
10"/250 mm	313	356	346	50	93	290